

PRODUCT INFORMATION PACKET

Model No: 5KCR39SN2891X
Catalog No: C1465
1.5,3450,DP,56J,1/60/115/230
Jet Pump



Regal and Marathon are trademarks of Regal Beloit Corporation or one of its affiliated companies.
©2018 Regal Beloit Corporation, All Rights Reserved. MC017097E

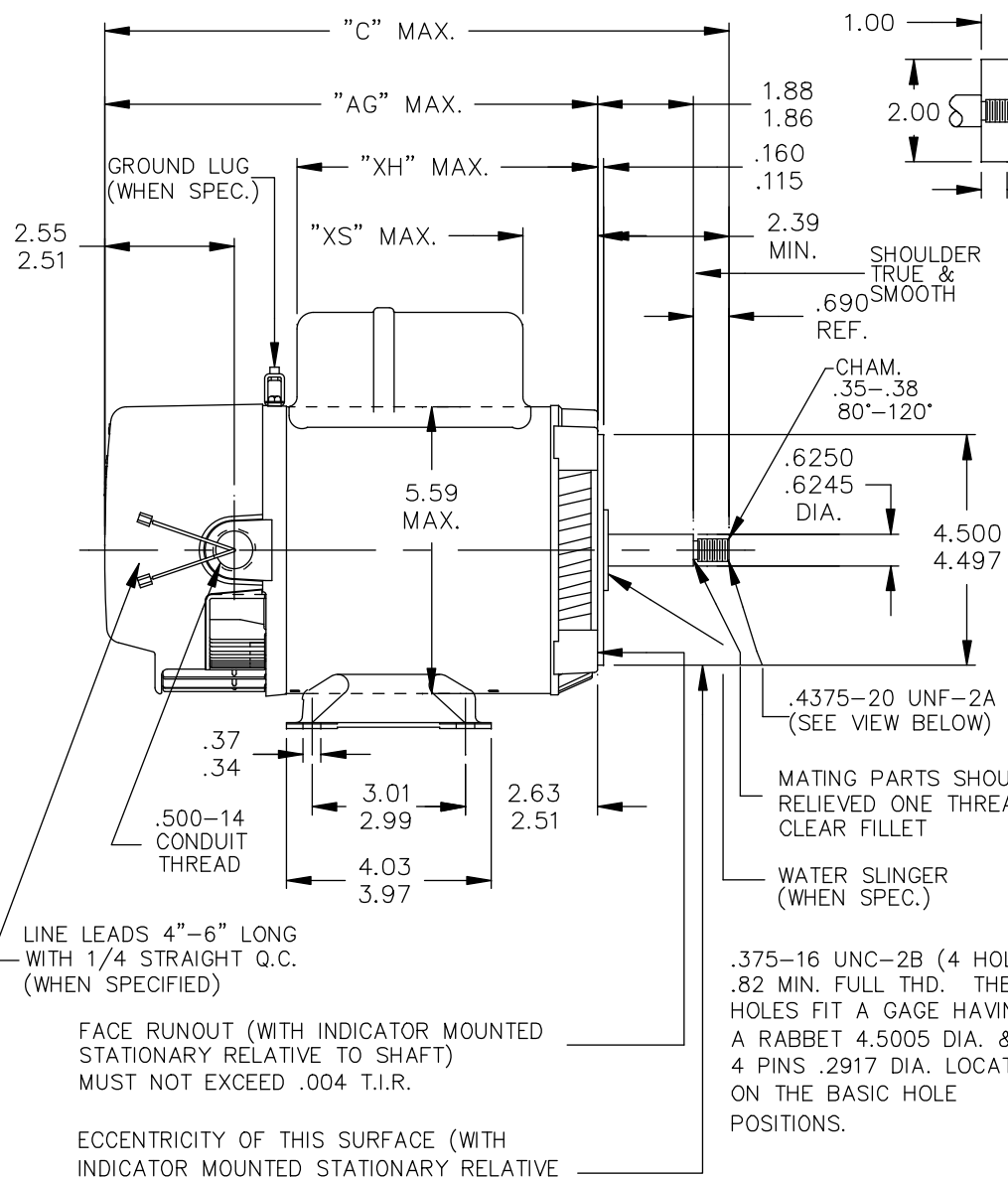
Nameplate Specifications

Output HP	1.5 Hp	Output KW	1.1 kW
Frequency	60 Hz	Voltage	115/230 V
Current	15.8,7.9 A	Speed	3450 rpm
Service Factor	1.3	Phase	1
Efficiency	76.1 %	Duty	Continuous
Insulation Class	B	KVA Code	K
Frame	56J	Enclosure	Drip Proof
Overload Protector	AUTO	Ambient Temperature	50 °C
Drive End Bearing Size	6204	Opp Drive End Bearing Size	6203
UL	Recognized	CSA	Yes
CE	N		

Technical Specifications

Electrical Type	Capacitor Start Capacitor Run	Starting Method	SM
Poles	2	Rotation	Clockwise
Mounting	Rigid Base	Motor Orientation	ANY
Drive End Bearing	LOCKED	Opp Drive End Bearing	BALL
Frame Material	Rolled Steel	Overall Length	13.98 in
Frame Length	6.87 in	Shaft Diameter	0.63 in
Shaft Extension	2.39 in		
Outline Drawing	52A109358P1	Connection Diagram	52A106890

This is an uncontrolled document once printed or downloaded and is subject to change without notice. Date Created: 10/08/2018



LINE LEADS 4"-6" LONG WITH 1/4 STRAIGHT Q.C. (WHEN SPECIFIED)

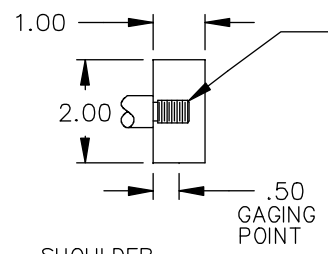
FACE RUNOUT (WITH INDICATOR MOUNTED STATIONARY RELATIVE TO SHAFT) MUST NOT EXCEED .004 T.I.R.

ECCENTRICITY OF THIS SURFACE (WITH INDICATOR MOUNTED STATIONARY RELATIVE TO SHAFT) MUST NOT EXCEED .004 T.I.R.

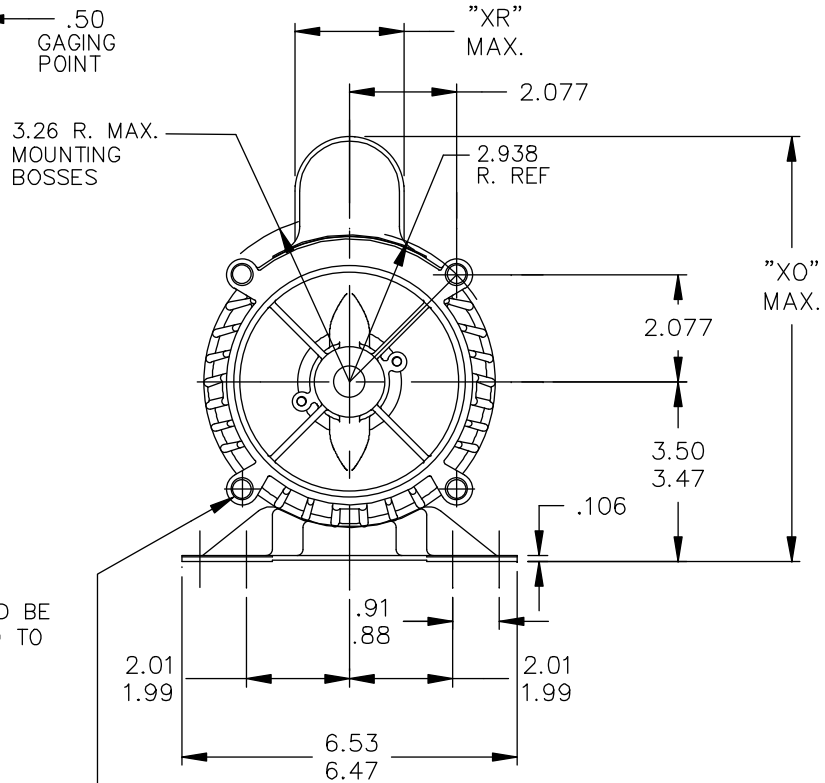
MATING PARTS SHOULD BE RELIEVED ONE THREAD TO CLEAR FILLET

WATER SLINGER (WHEN SPEC.)

.375-16 UNC-2B (4 HOLES)
.82 MIN. FULL THD. THESE HOLES FIT A GAGE HAVING A RABBET 4.5005 DIA. & 4 PINS .2917 DIA. LOCATED ON THE BASIC HOLE POSITIONS.



ECCENTRICITY OF THREADED PORTION OF SHAFT IS HELD WITHIN .004 GAGE READING WITH THE INDICATOR ON O.D. OF GROUND RING GAGE AS SHOWN, THE GAGE BEING STATIONARY WITH RESPECT TO THE ROTOR.



2	KCR	39	56J	14.86	12.23	8.17	2.50	8.43	2.10	7.75
1	KCR	39	56J	13.98	11.35	7.29	1.63	8.43	2.10	6.87
P	TYPE	GE SIZE	NEMA FR	C	AG	XH	XS	XO	XR	SHELL REF.

TOLERANCES UNLESS SPECIFIED	
DEC.	INCHES
.X	±.1

REGAL-BELOIT CORPORATION

DRAWN	MAM 11/08/93
CHK	
APPD	MAM 11/08/93
SCALE	3=8
REF	
FMF	
PREV	

3	JET/POOL IS REPLACED BY JET PUMP PER ECO-0033464	PVR 05/16/13	DS	.XX	±.03
2	CHG TO RBC FORMAT PER ISO5-1777	SUD 03/13/06		.XXX	±.005
1	REV. DIM. "XO" WAS 4.74	MAM 11/24/93		.XXXX	±.0005
NO.	REVISION	BY & DATE	CHK	ANG	±1/2'

TITLE	OUTLINE 2 COMPARTMENT UPGRADE 56J - JET PUMP - WELD BASE
MAT'L.	
FINISH	
CAD FILE	52A109358

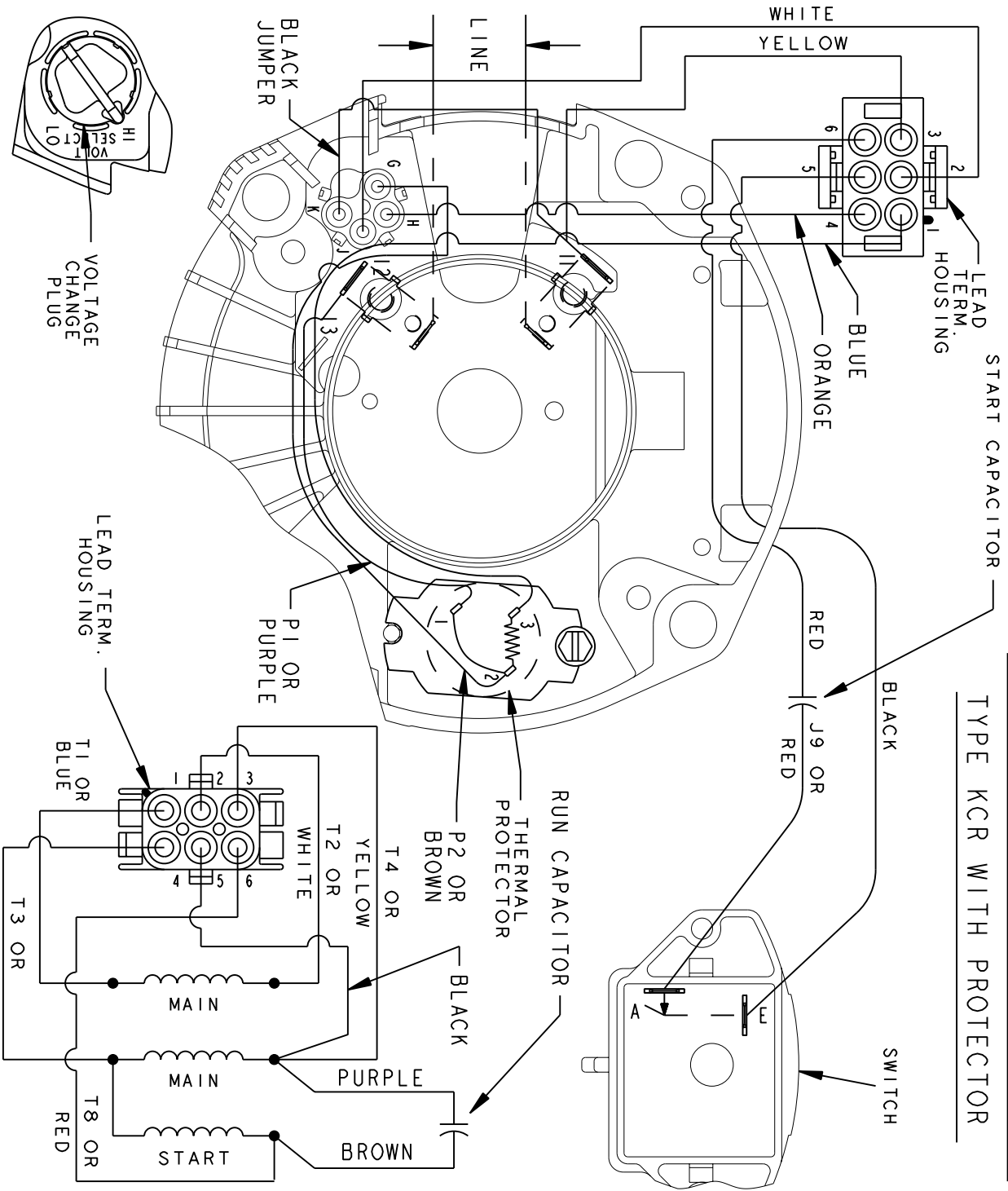
THIS DRAWING IN DESIGN AND DETAIL IS OUR PROPERTY AND MUST NOT BE USED EXCEPT IN CONNECTION WITH OUR WORK ALL RIGHTS OF DESIGN AND INVENTION ARE RESERVED THIS IS AN ELECTRONICALLY GENERATED DOCUMENT - DO NOT SCALE THIS PRINT

RFP		SIZE	DRAWING NO.	REV.
DIST		A	52A109358	3



REV.	DESCRIPTION	DATE	APPROVED
3	UPDATED TO RBC FORMAT	01/11/06	MAM

REVISIONS



NOTE#1 - HI VOLTAGE SHOWN FOR LOW VOLTAGE
 ROTATE VOLTAGE CHANGE PLUG TO LO POSITION.

CONNECTION LABEL - 52X333027AA

SET ROTATION - DUAL VOLTAGE

TYPE KCR WITH PROTECTOR

REGAL-BELOIT CORPORATION

REGAL-BELOIT

REGAL-BELOIT CORPORATION

SIGNATURES	DATE
MODEL B.L.J.	07/21/92
DETAIL	
CHECKED	
ENGRG	
MFG	
QUALITY	
ISSUED B.L.J.	07/21/92
MATERIAL	SOLID MODEL: 52A106890

TITLE

CONNECTION DIAGRAM

SIZE DRAWING A

FMF: 2 COMPARTMENT DUAL VOLT, SET ROTATION

SCALE: 1.000 REF. No.:

52A106890

REV 3